

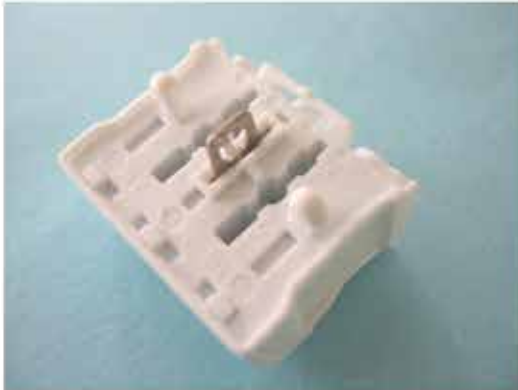
Luminaire Pushwire Connector with Quick Earthing Tag

3- pole/4-pole/5-pole

P02 - JGT series



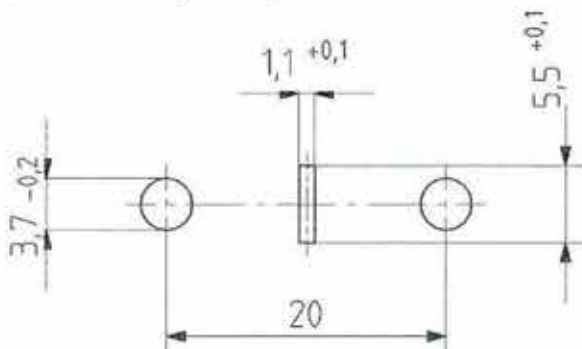
- Comply with IEC/EN60998-2-2
- Pushwire "Quick-Connection" / Quick-Earthing Tag
- Easy mounting (with 'fixing - snaps')
- Printing on Press-release Button: upon user's requirement



For Quick tagging for Earthing

** No screw-mounting required

Cut-out on the gear tray



Specification

Housing : Polyamide 66

Metal Part : Plated Brass / Steel spring

Voltage (V) IEC/EN 450V ; UL 300V

Ampere(A) : 10 (for operation)

Wiring Capacity (mm ²) :	Wiring Holes (a) + (b)	Wiring Hole (c)
Installation / User-side (with press-release button)	0.5 - 2.5	for testing only
Factory / Internal - side (without press-release button)	0.5 - 2.5	solid only

Product Codes

P02 - 3JGT/9 3 pole with J-snap

P02 - 4JGT/9 4-pole with J-snap

P02 - 5JGT/9 5-pole with J Snap

P02 -D3JGT/9 **3 pole with J-snap
+ 2-Sided Press Buttons**

* Pls refer to spec of P02-SR1/SR2 for details about cable-clamp.

